



Installation Guide

Province Slate is a polymer roof covering carefully engineered to provide the authentic look and durability of its natural counterpart. Special care has been taken to make the product easy to install. By following these instructions and using good installation practices, you will be assured of a quality installation. DaVinci products do not require certified or manufacturer's trained installers. However, a roofing contractor that is well versed in standard roofing installation practices and who has an understanding of DaVinci installation recommendations/requirements, is recommended.



NOTE TO INSTALLER

Province Slate has a profile thickness of 1/2" yet remains lightweight, because the tiles are not solid. When cutting tiles, the ribbed support structure may become visible. In these instances, rake tiles or special flashing detail should be used for the best aesthetic appearance. Pay special attention to recommendations for accessories, flashings and installation at gable ends (page 10) and valleys (pages 7 - 8).

Warning: Province Slate field tiles are not designed to be installed on turrets, domes, or cone-shaped roofing structures. These structures require materials that can be modified to be wider at their base than at their top. Province integrated gutter and self-aligning design prevent it from being modified in this way without jeopardizing its ability to shed water properly.

This information is provided for the use of professional roofing contractors. This Installation Guide does not supersede local building codes which should always be followed. DaVinci Roofscapes® does not warranty or have any responsibility for installation of its products. The DaVinci Roofscapes Lifetime Limited Material Warranty outlines its warranty responsibilities for the roofing materials it manufactures.

For questions about DaVinci Province Slate or its application, contact Westlake DaVinci Roofscapes, LLC
913-599-0766 or 800-DaVinci (800-328-4624) or www.davinciroofscapes.com

Please be sure to check DaVinci's website for updates. Installation Guide is subject to change without notice.

Installation

DECKING

Province Slate must be installed on a smooth, flat surface (ply- wood or OSB); a minimum 15/32" APA approved plywood or 7/16" approved OSB. Imperfections in the decking may transmit through to the finished roof. For this reason, it is recommended that all previous roofing materials be removed prior to installation of Province Slate. However, there are some circumstances where overlaying one layer of asphalt shingles is acceptable. This is ad- dressed in the Special Issues Section in the back of this guide. *Prior to installation over any plank type decking please see the [technical bulletin](#), RE: DaVinci & Installation Over Plank Decking, dated October 24, 2022 for possible concerns or warranty exclusions.*

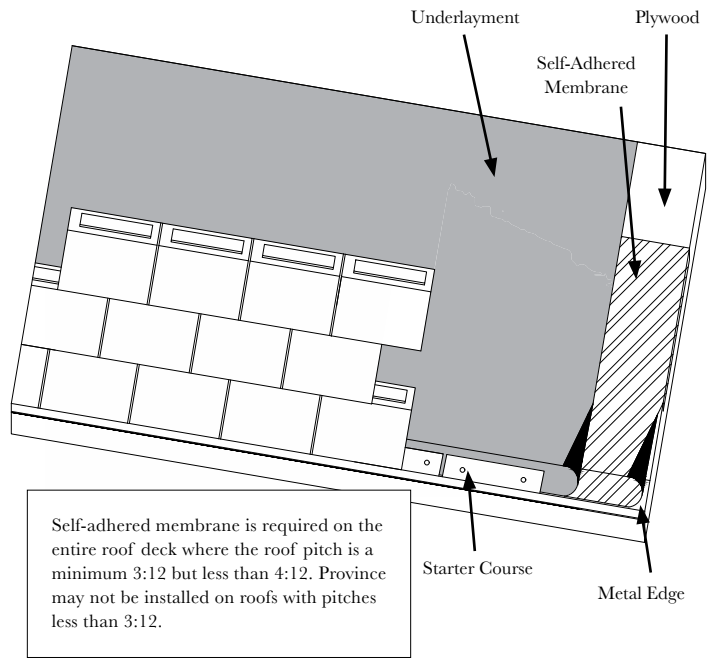
DRIP-EDGE

Metal drip-edge made from copper, aluminum, or coated steel should be installed underneath underlayment on all eaves. Drip-edge on gable ends is optional when installing rake tiles.

SELF-ADHERED MEMBRANE

(Severe Climate Underlayment in accordance with Chapter 15 IBC or 9 of the IRC)

A full sheet of self-adhered membrane is required in all valleys. At least 18" of membrane is required on all gable ends, against walls, and around projections. In areas where the average daily temperature in January is 25° F or lower, or where ice buildup is possible, DaVinci requires self-adhered membrane be installed from the bottom edge extending two feet above the exterior wall line on all eaves.



Underlayment

CLASS C FIRE RATED SYSTEM:

In addition to self-adhered membrane, a minimum 30 lb. felt that meets ASTM D 226 Type II standard or a listed synthetic underlayment¹ is required over the entire roof. If self-adhered membrane is required in the field of the roof (if there is a skylight for example), it must be installed so that if water ever lands on it, it will flow on top of the other underlayment, not the plywood. A proven method of installing the various types of underlayment within a roofing system, which DaVinci recommends, is as follows: Install membrane on the eaves. Cover the membrane and the remaining portions of the roof with the approved underlayment. Then install self-adhered membrane in valleys, along walls and around projections.

ROOF PITCH	UNDERLAYMENT
Less Than 3:12	Installation of Province Not Recommended
*3:12 to 4:12	Self-Adhered is Required Over the Entire Deck
Greater Than 4:12	Underlayment as listed per required fire classification or local building code installation specification (Whichever is greater or more stringent)

Underlayment (CONT'D)

CLASS A FIRE RATED SYSTEM:

In order to meet a Class A system for fire, one layer of Eco Chief Solarhide* may be installed on the entire roof deck. See Davinci Technical Documents for additional options, as available.

NOTE 1

Underlayment and Asphalt Shingles are listed Class A components of a listed roof deck assembly by an Approved Agency. The third party program in which products are certified, carry a label, and are listed in the directory of an agency accredited by the International Accreditation Service, Inc. (IAS), or by an accredited body that is a partner with IAS in a mutual recognition arrangement, pertaining to certification bodies and their compliance with ISO/IEC Guide 65.

General Requirements for Bodies Operating Product Certification Systems. These underlayment and asphalt shingle components are to meet Class A Classification when tested to ASTM E108 or UL 790.

NOTE 2

Underlayment is to be installed with mechanical fasteners in accordance with the manufacturer's published installation instructions. Self-adhering or adhesive applied underlayment and asphalt shingle installations are outside the scope of this listing

Tiles

NAILS

Tiles should be installed with nails long enough that they will penetrate through the roof deck and exceed it by 3/16". In most instances 1½" roofing nails are acceptable. Minimum 3/8" head is required. We recommend gun driven ring-shank hot-dipped galvanized nails. Copper and stainless-steel nails may also be used and are recommended when they come in contact with copper flashing to prevent galvanic action. Ring-shank nails are optional for plywood, but must be used for OSB decks and in high wind areas. **Each Province tile should be fastened with a minimum of two nails. Each of these two nails should be placed at each of the outside nail marker circles within the line of 4 markers below the gutter at the top of the tile. Some circumstances, codes, or wind resistance requirements may require four nails. In these circumstances nails must be placed in the two additional markers in the center of the four markers.**

STARTER COURSE

It is imperative that the starter course be straight or subsequent courses will not align properly. The Province field tiles rely on the starter course to maintain straight coursing. It is therefore necessary that there be a chalk line laid to assure that the starter is straight. For a Slate installation, the chalk line should be snapped approximately 2½" above the bottom edge of the roof. The starter tiles should be placed so the top edge of the starter tile is placed on the line. The amount of overhang may be adjusted as needed to achieve the best water flow into the gutter. The starter tiles must be spaced ¾" - 1/2" apart as tiles will expand and contract with temperature change. Buckling of the starter pieces may occur if the starter pieces are not spaced properly.

Only white or blue chalk should be used on Province roofs, as permanent chalk (red or orange) will stain the tiles permanently.

Tiles (CONT'D)

FIELD TILE

(For wind speed warranty in excess of 90 mph (110 mph) see high wind installation guidelines under special issues.)

The Province Slate field tiles may be laid from either direction. However, these guidelines are for an installation that is from left to right. The outside edge of the tile will be covered by a rake tile on a gable end or a hip and ridge tile on a hip so precise cutting is not necessary. For installing Province Slate without a rake tile, please see Rake Tile Section prior to installing any field tile.

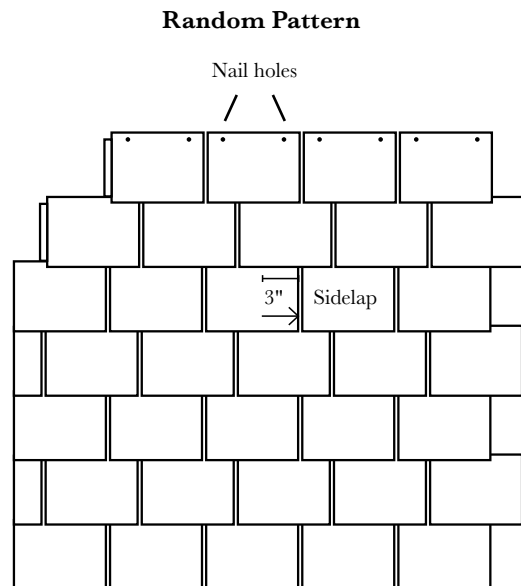
A random pattern is the simplest pattern and one that is aesthetically pleasing to many. This pattern is accomplished by setting the shingles back random amounts as long as there is a minimum 3" side-lap from the gutter of one tile to the gutter on the tile that sits on the course above or below it. A random pattern is forgiving in that the vertical pattern alignment does not need to be constantly checked to make sure it is straight.

The first tile should seat directly on the starter tile. The stop or ledge on the bottom of the field tile rests directly on top of the starter. Slide the tile so the gutter and overlock line up approximately in the middle and are not laid tightly. The field tile should then be nailed with 2-4 nails depending on system requirements.

Once the first tile is in place, a tile should be placed on top of it to start the second course. This tile should be placed so that it nests on top of the first tile with the ledge on back resting on the top of the first course tile. Slide the tile to the left so that the right side edges of the two tiles are offset by a minimum 3". Before nailing, the overhanging portion on the left side of the tile should be removed. The cut tile should be installed leaving the farthest right fastener spot vacant until the next tile is properly placed. Then the second tile of the bottom course should be installed. The installation should continue so that the gutter of this next tile is placed under the right side of first tile and is sitting on the ledge of the starter or tile below. You should not push the tiles together tightly. When the tile is properly in place, it should feel locked in place when pulled down and to the right. The installation should continue in this manner. Tiles should be installed in a stair step manner and several courses should be installed going across the roof at one time to assure good color blending.

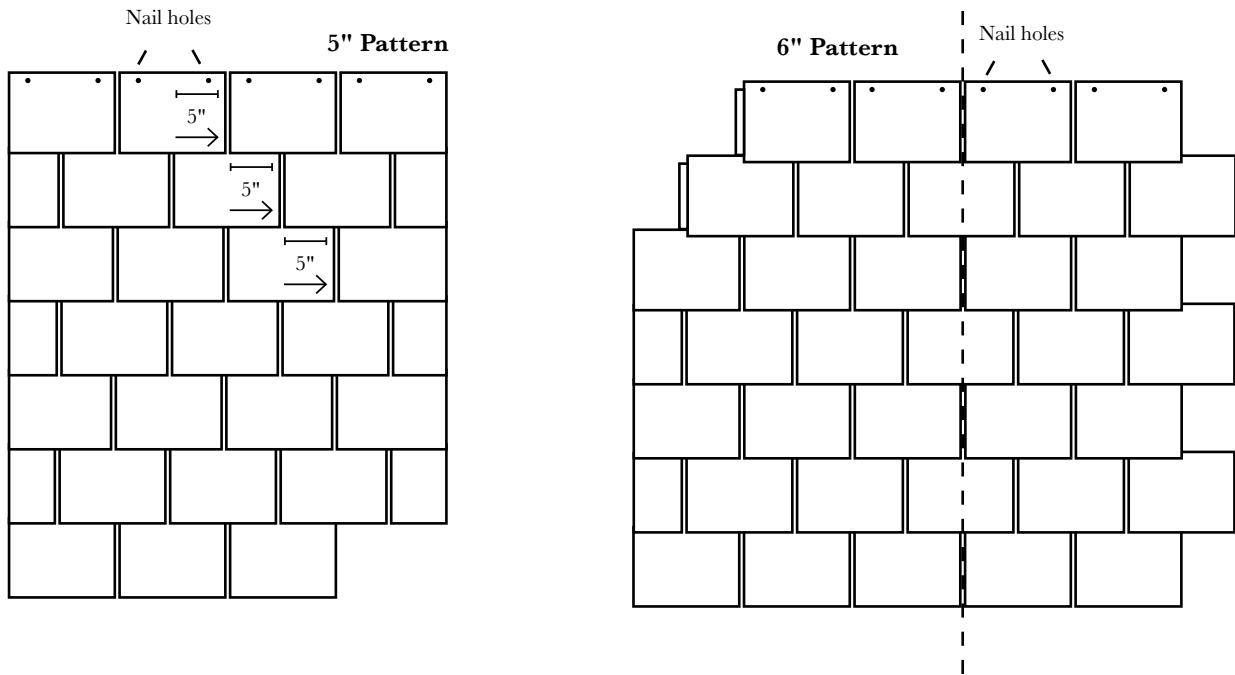
Note: tiles may also be nailed on the top left but this is not required for wind performance in non HVWZ areas.

One of the reasons these tiles were designed was to provide adjustment options as needed. If the lowering of courses is required and transition tiles are not available, they can be made onsite from existing standard field tiles. This can be done by removing the ledge from the sides and bottom of a standard tile, so that it is able to lay flat as it is lowered onto the course below.



Tiles (CONT'D)

Alternate pattern methods may be used. Instead of a random pattern, the Province Slate may be set back a consistent 5" or 6". This will prove to show a consistent vertical pattern that some think is more formal than a random pattern. This type of pattern will be more difficult to install on complex roofs.



The 6" slate pattern is accomplished by setting each tile back 6". With this method the gutters between tiles are in alignment on alternate courses. This installation method makes for a very orderly look. This installation pattern is the most difficult and requires frequent checking of vertical alignment by means of chalk lines. Both a 5" and 6" pattern will also require the installer to use extra effort around a dormer or other protrusion to ensure the pattern stays straight all the way to the end of the roof.

When using the 5" or 6" method on slate, it is important to make the pattern come out both vertically and horizontally on top of a dormer or a gable that abuts the roof lower than the ridge gable. In order to do this the left side of a dormer (for example) must be installed with several tiles above the top of the dormer. With this completed, a chalk line may be struck that aligns the right corners of the installed tiles and goes all the way down to the eave on the right side of the dormer. Once the chalk line is in place, the installer may place the right side of the bottom tile on the line. He should use this as a guide to install the necessary tiles to the left. Subsequent courses are installed with a 5" or 6" setback. Good horizontal alignment may be assured by snapping occasional horizontal lines.

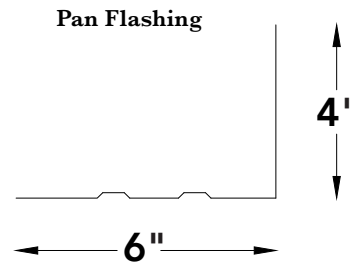
Chalk lines should be snapped on the underlayment only. Do not snap chalk lines on the visible portion of any DaVinci products. Red and orange permanent chalk will permanently stain DaVinci tiles.

Flashing

All flashings must be new and cannot just be caulked, cemented, or resealed. This includes, but is not limited to, valleys, step, pipe, vent, etc. Flashing should be used in all areas in which the roof abuts a vertical wall, dormer, chimney, skylight or other structural protrusions. The use of copper, a minimum 28-gauge clad steel or a minimum .019 aluminum is acceptable. A mechanical or sealant (Davinci is not responsible for the bonding of any adhesive/sealant) based hem, return, or gutter system which prohibits water or moisture to flow onto the underlayments or structure.

PAN FLASHING METHOD

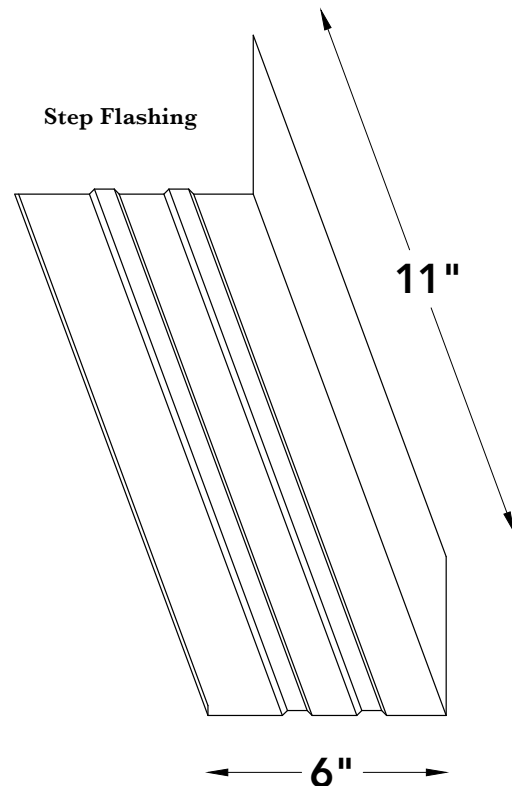
Walls or projections must be prepared by installing a minimum of 18" self-adhered membrane that turns up the wall at least 4" and back on the deck (underlayment) at least 14". With the self-adhered membrane in place, a 6" x 4" piece of "L" metal should be installed so that 4" goes up the wall and 6" lies on the roof deck. An additional strip of membrane should be placed on top of the "L" metal and onto the underlayment if there is not a return on the outside edge of the pan metal. If the abutment terminates in the "field," the membrane must go over the top of the "field" underlayment. The roof edge of the metal should be crimped. This metal should extend on top of the field tile below. When installing the first tile on the flashing, a Province transition tile should be used.



STEP FLASHING METHOD (Requires Transition Tiles)

Walls or projections must be prepared by installing a minimum of 18" self-adhered membrane that turns up the wall at least 4" and back on the deck (underlayment) at least 14". For the termination of each course, a transition tile must be installed with a piece of step flashing 4" x 6" x 11" that has two water diverters 1/8" tall formed into the flashing. DaVinci Roofscapes has step flashing like this available. The step flashing will be installed under each transition tile and held in place by the nail that each tile receives at the top.

Note: Step flashing may also be fabricated in the field by taking a flat piece of 4" x 6" x 11" step flashing and bending a 1/4" return on the edge of the deck-side of the flashing. The ribs on the underside of the tile will need to be removed to accommodate the return on the flashing.



Flashing (CONT'D)

TRANSITION TILES

The Province transition tile is a tile without the alignment ledge on the back. Transition tiles are used wherever there is a metal flashing that occurs between courses. Examples of this include pipe flashings, valleys that terminate in the field and step flashings. Transition tiles may also be used wherever toe-irons are used to support walk boards. Transition tiles are also used to adjust coursing when necessary. Once the first transition tile makes the transition, subsequent tiles may be regular Province field tiles. A transition tile may be fabricated in the field by removing the back ledge with a knife or planer. Unused transition tiles may be substituted for regular field tiles but a chalk line must be used to maintain straight coursing.

Valleys

Province Slate may be installed as an open or closed valley. For a closed valley, "W" valley metal should be used. The center diverter should be a minimum 1 1/2" for Slate. For an open valley, the valley metal should be broken in the middle with diverters on either side. These diverters also need to be a minimum 1 1/2". With the valley metal in place, an 18" strip of self-adhered membrane should be placed on top of the valley metal. The membrane should be parallel and 1" from the diverter and should extend past the outside edge of the valley. Cut Province tiles should not be laid tightly against any flashing or valley metal. A minimum continuous and uniform space of 1/8" is best. **IT IS REQUIRED THAT THE TOP CORNER OF THE TILE THAT IS CLOSEST TO THE CENTER OF THE VALLEY BE CUT ON AN ANGLE TO PREVENT WATER FROM HITTING THE CORNER AND TRAVELING HORIZONTALLY.**

When nailing a piece of tile in the valley that is 6" or shorter, it is recommended that one fastener be placed in the upper corner where the cut tile overlaps. Fasteners need to be placed as far from the diverters as possible without regard to nail placement marks on the tiles. If very narrow pieces are needed in the center of the valley, for aesthetics, they should not be nailed but wired or clipped to the adjacent field piece that is mechanically fastened.

DaVinci Valley Metal Options

- All metal valleys to be manufactured using 2' wide panels at a minimum.
- All returns are to be 1/2"
- All Province Slate Diverters minimum 1 1/2"

Closed Valley Appearance Options

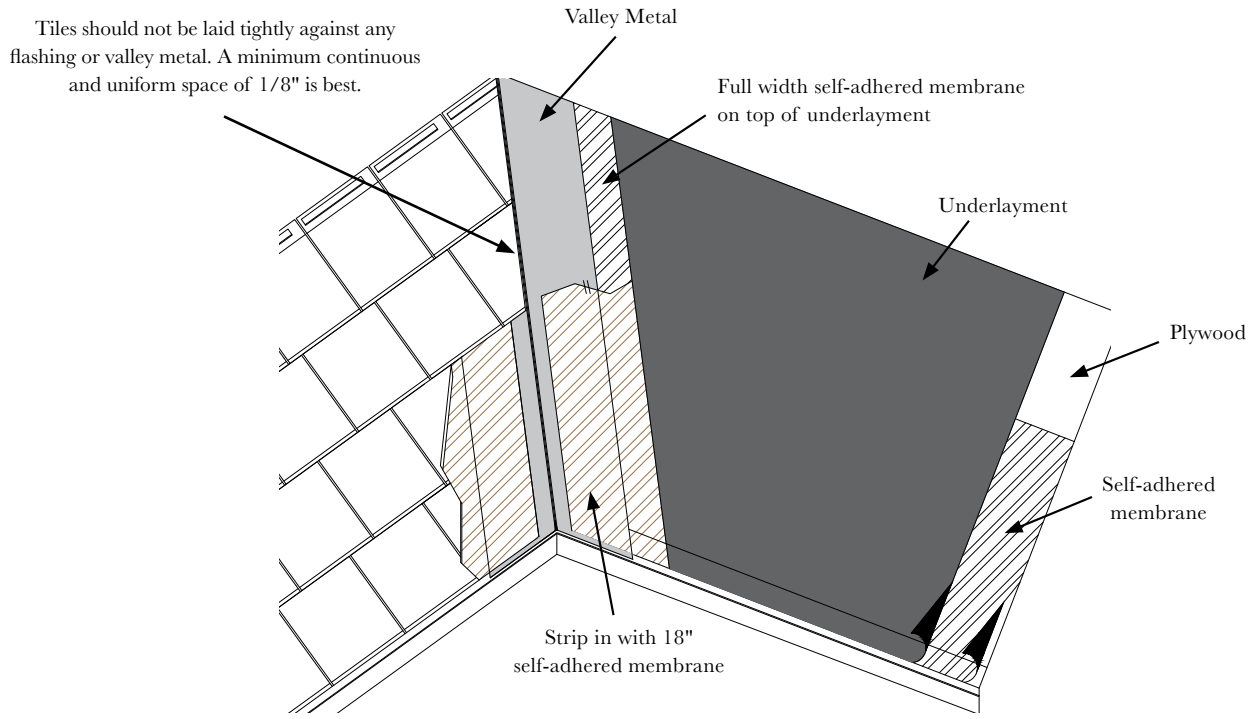
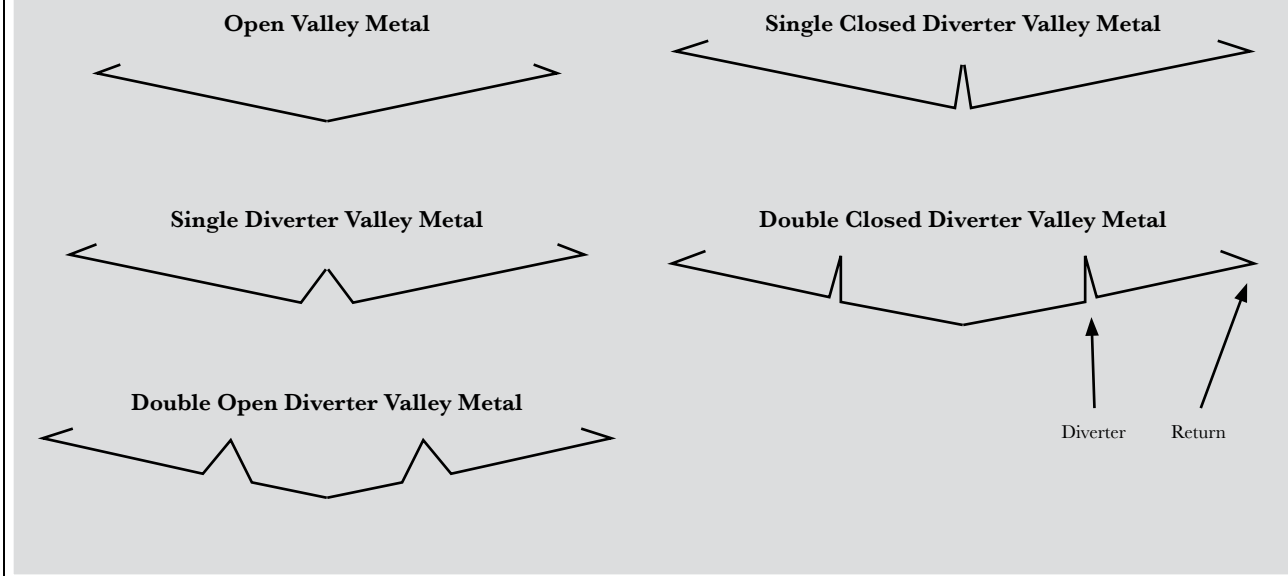
Single Open or Closed Diverter: In many cases, with steeper pitched roofs, it is acceptable to install a single open or closed diverter" valley. The Province Slate tiles are then cut appropriately in order to lay near the center diverter. This option will only leave a small seam or crown of the diverter visible and resembles a closed valley.

Open Valley Appearance Options

Open Valley Metal, Single Open, or Closed Diverter Metal: In many cases, with steeper pitched roofs, it is acceptable to install open valley metal or either type of single diverter valley metal and cut the Province tile on an angle parallel and 2 1/2" from the center or center diverter. Keep in mind that the cut rib structure of the tiles may be visible from the ground with some roof pitches.

Twin Diverter Open or Closed: Double open or double closed diverter metal can be used to provide an open valley appearance while also blocking the support ribs on the underside of cut tiles. This should be made from 24" stock that is broken in the middle without diverter to look like a "V". Additionally, there should be a closed or open diverter on either side of the center line. Province should be cut and laid against the diverters on either side to mask the rib structure. This option will leave a visible portion of metal centered on the valley commonly 5-7" wide.

APPEARANCE OPTIONS

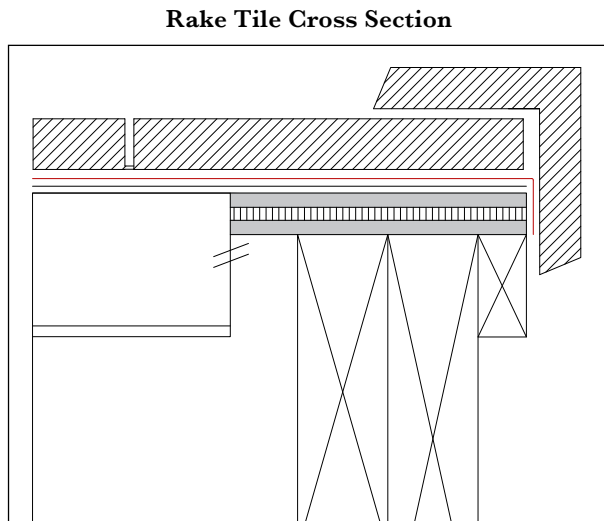
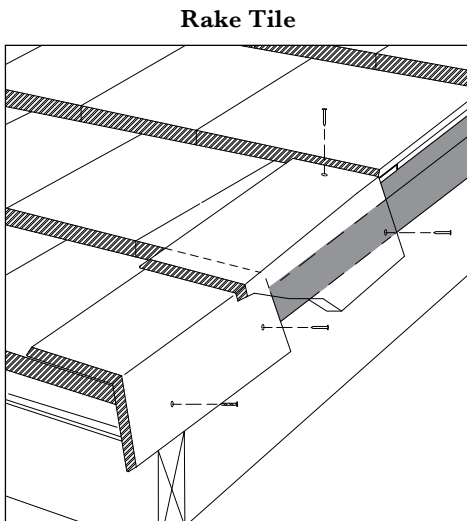


Rake Tile

An 18" strip of self-adhered membrane should be installed vertically on top of the underlayment on gable ends so that $\frac{3}{4}$ " of the membrane overhangs the gable end and is bent down over the rake edge. Province tiles placed on the gable end may be nailed anywhere that they will be covered by the rake tile.

METHOD 1: RAKE TILES

The rake tiles are installed to finish the gable ends. The first tile is installed on the gable end so that the butt of the tile is flush with the butt of the first course of Province. The tip of the first rake tile should be cut so that it doesn't overlap the second course of tile. The rake tile should be nailed with an approved fastener long enough to penetrate through the roof deck and exceed it by $\frac{3}{16}$ " (2" roofing nails are acceptable in most instances); once on the roof side and once on the wall side. The tile should be nailed high enough so that the nails are covered by the next rake tile. The second rake tile should be installed so that the tip of the rake tile just touches the butt of the second course. Subsequent rake tiles should be installed in the same way.

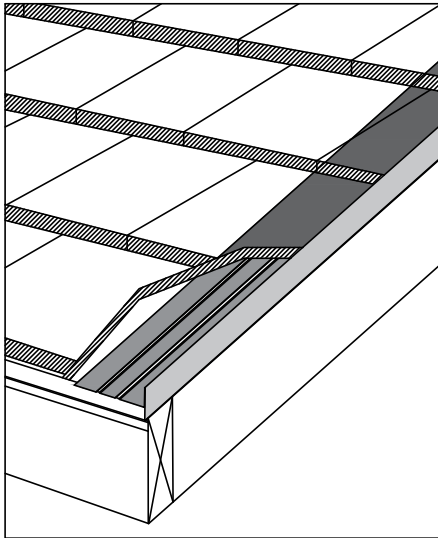


Rake Tile (CONT'D)

METHOD 2: METAL RAKE EDGE

Gable End/Rake installation without rake tiles. A piece of flashing can be installed to terminate the tiles at the gable ends. The rake metal trim looks like a "T" with the main leg 4" and 1" on each side of the top of the "T". Once the metal trim has been installed, a 12" wide strip of self-adhered membrane should be installed on top of the metal trim so that at least 2½" of the 4" leg is covered. The Province slate field tiles are then cut and applied tight against the 1-1/2" rise of the rake metal.

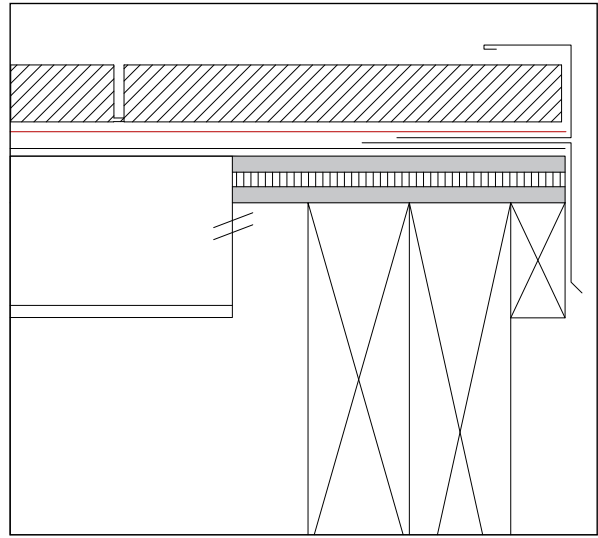
Metal Rake Edge



METHOD 3: GABLE END/RAKE WITH J CHANNEL

2-piece method: A piece of 90-degree drip-edge can be installed at the end of the roof deck over the underlayment and down the rake fascia board. A piece of 1-1/2" J channel can then be added flush with the drip-edge and stripped in with a peel and stick underlayment. The field tiles are then placed into the J channel slot.

Rake J Channel

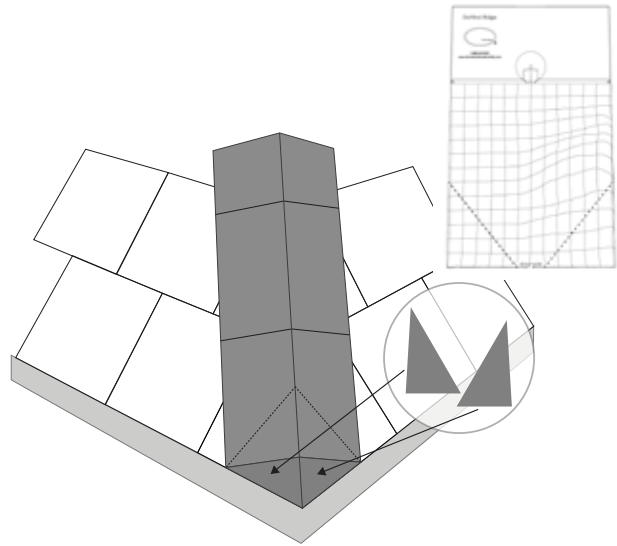


Cutting

A cordless battery operated circular saw is recommended for efficient cutting of Province tiles. A standard wood cutting blade is adequate for smooth cuts. A razor knife can be used to cut the tiles, although it is more difficult and time consuming, and results in an uneven cut edge.

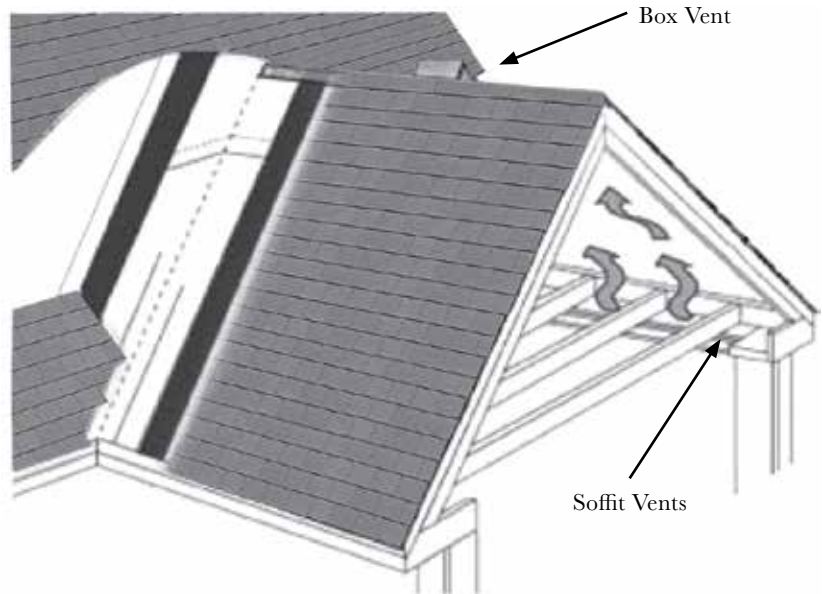
Hip and Ridge Tile

The one-piece hip and ridge tile should be installed at a 12" exposure (unless the pitch of the roof is greater than 12/12. When installing on roofs with pitches greater than 12/12 tiles may need to be installed at a 10" exposure or less) in order to provide a more flat and uniform appearance. All one-piece hip and ridge should be formed to the pitch of the roof prior to install. The tiles should be nailed once on each side about $\frac{3}{4}$ " from the outside edge with an approved fastener long enough to penetrate through the roof deck and exceed it by $\frac{3}{16}$ ". (2" roofing nails are acceptable in most instances.) The hip and ridge should be nailed approximately 12 $\frac{1}{2}$ " (when installing at a 12" exposure) from the butt of the tile, and $\frac{1}{2}$ " to $\frac{3}{4}$ " inch from the outside edge. When nailing, it is best to try to nail the hip and ridge through the butt of the field tile, not in the void below the butt. The nail may be raised up to an inch above the nailing circle if necessary. If the tile must be nailed in the gap below the butt of the field tile, don't drive the nail down so hard that it distorts the hip and ridge tile. A chalk line should be used on the hips to assure straightness. A shingle over type continuous ridge vent may be used if wanted. If continuous ridge vent is used, nails used to secure the hip and ridge tiles must penetrate through the decking and exceed it by $\frac{3}{16}$ ".



Ventilation

Adequate ventilation is crucial to the proper performance of a roofing system. Adequate ventilation is especially important in cold climates where modern houses are well insulated and weather-tight. We suggest you follow standard building practices in your area and meet all national and local building codes. A continuous ridge vent combined with appropriate soffit ventilation is an especially effective ventilation system that we recommend.



Special Issues

SNOW GUARDS

Snow guards should be considered in all geographic areas where accumulating snowfall is possible, since snow can slide off polymer and other roofing materials easily. Most kinds of brass, copper, or clad aluminum snow guard systems work well with DaVinci. Rocky Mountain Snow Guards, Inc. is a good source for further information about snow guards. Contact them at www.rockymountainsnowguards.com or call 877-414-7606. It is recommended that snow guards be installed during the installation of the DaVinci roof, although retro-fit snow guards are available for previously installed DaVinci roofs. Details regarding installation remain the responsibility of the installer and the customer.

For additional information, please see Q & A Guide to Snow Guards at <http://dvroof.com/1BEYN1W>.

Consult with your local contractor to determine if snow guards would be appropriate for your project. DaVinci makes no representations or warranties about the propriety of snow guard installation on any given project. Rather, the decision to install snow guards rests solely with the end user.

HIGH WIND AREAS

(Additional installation requirements for upgraded 110 mph wind warranty)

- 1.75" Hot Dipped, Ring Shank Nails are required for High Wind applications
- Province requires four (4) fasteners for "High Wind" applications. One nail must be placed in each of the (4) pre-marked circles below the upper trough.
- All One-Piece Hip & Ridge applies at 10" exposure rather than standard 12". (Approx 18% more H&R needed)
- All Rake pieces need to be face fastened at the butt end into the fascia with exposed screws.

ASPHALT SHINGLE OVERLAY INSTALLATION

Although it is recommended that Province be installed on a smooth, flat surface where all previous roofing material has been removed, overlaying one layer of Class A fiberglass asphalt shingles is an acceptable alternative. In some situations, when performing a roof over installation the following items must be addressed in addition to the standard installation method. Also, nothing written here is meant to supersede any local and/or national building codes which must always be followed and should be researched prior to any job start.

Preparation: The new roof may show any imperfections that are in the existing substrate as unpleasant dips and bumps. This can be minimized by cutting and/or fastening all buckled, raised, and curling shingles. The surface should be as flat and smooth as possible. Shingles along the eaves and rakes must be cut back in order to install the starter and rake tiles.

Fasteners: Nails for field tiles should be long enough to penetrate the roof deck and exceed it by a minimum 3/16". Nails used for hip and ridge should also penetrate the roof deck and exceed it by 3/16".

Rake Edges/Gable Ends: A piece of "L" shaped drip edge may need to be used along rake/gable ends, depending on the thickness of the existing shingle roof. This would be installed on top of the existing shingles along the rakes and under the new field tiles. The metal should be bent in such a way that it has a minimum of 3" on the roof deck side and an appropriate length of metal to overlap the corresponding rake fascia board by a minimum of 1/2". The rake tiles would then be installed as previously instructed. The purpose of the metal is to close and protect any opening that would have been present between the bottom of the installed rake tiles and the existing rake trim or shingle molding.

Flashings: All flashings must be new and cannot just be caulked, cemented, or resealed. This includes, but is not limited to, valleys, step, pipe, vent, etc.

Special Issues (CONT'D)

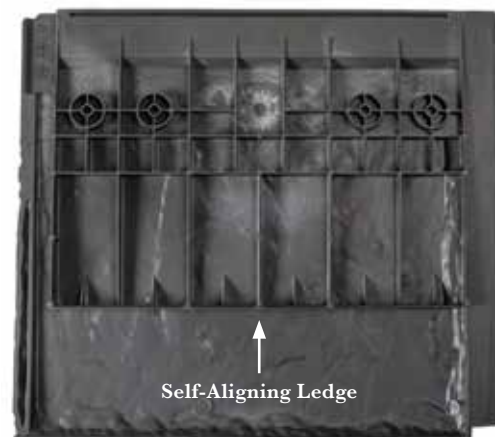
NAILING

Each Tile must be installed with a minimum of two hot-dipped galvanized nails (An additional nail on top is optional). Roofing nails that penetrate through the roof deck and exceed it by 3/16" must be used. Tiles can be nailed by hand or with a pneumatic nail gun. Don't overdrive nails or drive nails at an angle. Keep the nail head flush with the surface of the shingle to avoid creating "craters" which can collect moisture and can also prevent the exposed end of the shingles from lying flat.

Province Slate Front



Province Slate Back



ELECTRO-GALVANIZED NAILS

DaVinci recommends the use of hot-dipped galvanized, copper, or stainless-steel nails. We realize however that in many climatic regions, nail corrosion is not a factor in the long-term performance of the roof system. Therefore, DaVinci Roofscapes supports the use of Electro-galvanized nails and a system using those nails will be in compliance with the DaVinci Lifetime Limited Material Warranty. Exception: If the nails fail, any portion of the warranty associated with wind performance would be void.

Repair

Anytime Province tiles are removed or adjusted and reused, all previous fastening points must be filled with a new fastener or compatible sealant. All previous fastening points are required to be occupied. If a sealant is used and the adhesion or sealant fails this is not covered under the Davinci Lifetime Limited Material Warranty.

For questions about DaVinci Province Slate or its application, contact Westlake DaVinci Roofscapes, LLC
913-599-0766 or 800-DaVinci (800-328-4624) or www.davinciroofscapes.com

Please be sure to check DaVinci's website for updates. Installation Guide is subject to change without notice.