

Issue Date: 01-30-2015  
Revision Date: 07-26-2023  
Renewal Date: 02-28-2024

**DIVISION: 07 00 00 – THERMAL AND MOISTURE PROTECTION**

**Section: 07 32 26 – Plastic Roof Tiles**

**REPORT HOLDER:**

**Westlake Davinci Roofscapes, LLC**  
13890 W 101<sup>st</sup> St  
Lenexa, KS 66215  
800-328-4624

**REPORT SUBJECT:**

*Inspire Classic Roof Slates*

### 1.0 SCOPE OF EVALUATION

**1.1** This Research Report addresses compliance with the following Codes:

- 2021, 2018, 2015 *International Building Code*® (IBC)
- 2021, 2018, 2015 *International Residential Code*® (IRC)
- 2020 *Florida Building Code* (FBC) (see Section 9.0)  
(*Excluding HVHZ – High Velocity Hurricane Zones*)

**1.2** *Inspire Classic Roof Slates* have been evaluated for the following properties (see Table 1):

- Weather Resistance
- Wind Resistance
- Durability
- Fire Classification

**1.3** *Inspire Classic Roof Slates* have been evaluated for the following uses:

- The *Inspire Classic Roof Slates* are used as a Class A or Class C roof covering when installed according to the manufacturer's instructions and this report.

### 2.0 STATEMENT OF COMPLIANCE

*Inspire Classic Roof Slates* comply with the Codes listed in Section 1.1, for the properties stated in Section 1.2 and uses stated in Section 1.3, when installed as described in this report, including the Conditions of Use stated in Section 6.0.

### 3.0 DESCRIPTION

**3.1** The *Inspire Classic Roof Slates* are compression molded from polymer-based materials to simulate natural tile roofing.

**3.2** The slate tiles are manufactured as a Class A or a Class C roof tile with a nominal length of 17 inches and nominal width of 12 inches.

**3.3** *Inspire Classic Roof Slates* are manufactured in standard and premium colors and may be custom ordered in a variety of colors.

### 4.0 PERFORMANCE CHARACTERISTICS

**4.1** Fire Classification – The Class A *Inspire Classic Roof Slates* are classified as a Class A roof covering for combustible decks in accordance with IBC Section 1505.1 and IRC R902.1 when used with a single layer of *Eco Chief SOLARHIDE™* underlayment as recognized in QAI Listing B1094. The Class C *Inspire Classic Roof Slates* are classified as a Class C roof covering for combustible decks in accordance with IBC Section 1505.1 and IRC R902.1 when used in conjunction with one layer of ASTM D 226 Type II compliant underlayment. See Section 5.2.1 for underlayment installation.

**4.2** Wind Resistance – *Inspire Classic Roof Slates* have a maximum allowable negative design pressure of 90 psf determined in accordance with UL580 with a 2.0 factor of safety.



## 5.0 INSTALLATION

### 5.1 General:

*Inspire Classic Roof Slates* must be installed in accordance with the manufacturer's published installation instructions, the applicable Code, and this Research Report. A copy of the manufacturer's instructions must be available on the jobsite during installation.

**5.2** Shingles must be installed on solid sheathing and a minimum slope of 3:12. Solid sheathing must be a minimum of 15/32-inch thick exterior grade plywood, 7/16-inch thick Oriented Strand Board (OSB), or nominal 1-inch-thick lumber. Sheathing must be adequate and fastened to resist the wind loads as specified by IBC Section 1609 or IRC Section R301.2 for components and cladding.

**5.3** Underlayment must be installed in accordance with applicable code requirements. In areas where the average daily temperature in January is 25 °F or less, or where there is a possibility of ice forming along the eaves and causing a backup of water and ice barrier is required. Acceptable ice barrier consists of at least two layers of underlayment cemented together, or of a self-adhering polymer-modified bitumen sheet. The ice barrier must extend from the eaves edge to a point 24 inches inside the exterior wall line of the building.

**5.4** Roof shingles are installed starting with a row of 12-inch-wide starter slates. The singles must extend 1/2-inch over the eaves and rakes. Shingles are secured to the sheathing through pre-molded markers using two stainless steel or copper nails or stainless screws. Fasteners must be sufficient length to allow 3/4-inch penetration of the sheathing. Field shingles are installed flush with starter slate shingles on the outer and lower edges. Spacer tabs are provided to maintain a 1/4-inch gap between shingles.

**5.5** Hips, ridges and valleys must be flashed as specified in the manufacturer's published installation instructions.

**5.6** *Inspire Classic Roof Slates identified as Class A* are recognized as a Class A roof covering when installed with one layer of *Eco Chief SOLARHIDE™* underlayment on a 15/32-inch structural wood panel deck and at a maximum slate exposure of 7.5 inches. Installation of the

underlayment shall be in accordance with the requirements of the applicable code and QAI listing B1094.

**5.7** *Inspire Classic Roof Slates identified as Class C* are recognized as a Class C roof covering when installed in conjunction with one layer of ASTM D 226 Type II underlayment on a 15/32-inch structural wood panel deck and at a maximum slate exposure of 7.5 inches.

**5.8** Flashing and edge materials shall meet the minimum requirements of IBC Section 1503.2 and 1507.7.6 or IRC Section R905.6.6, where applicable.

**5.9** Reroofing requires that existing roof covering, and underlayment must be completely removed, and damaged sheathing replaced prior to installing *Inspire Classic Roof Slates*.

## 6.0 CONDITIONS OF USE

**6.1** Installation must comply with this Research Report, the manufacturer's published installation instructions, and the applicable Code. In the event of a conflict, this report governs.

**6.2** *Inspire Classic Roof Slates* applications identified in this report are deemed to comply with the intent of the provisions of the referenced building codes subject to the following conditions:

**6.3** Wind design loads determined from nominal wind speeds ( $V_{asd}$ ) in accordance with Section 1609.3 of the IBC shall not exceed the maximum allowable design pressure specified in Section 4.2.

**6.4** Installation of *Eco Chief SOLARHIDE™* roof underlayment shall be in accordance with QAI listing B1094. The recognition of *Eco Chief SOLARHIDE™* roof underlayments as an approved element of the *Inspire Classic Roof Slates* is contingent on the maintenance of a valid QAI Listing B1094 .

**6.5** Compatibility of the supporting construction materials with all fasteners are subject to approval by the code official.

**6.6** *Inspire Classic Roof Slates* are manufactured under a quality control program with inspections by Intertek Testing Services NA, Inc.





## 7.0 SUPPORTING EVIDENCE

- 7.1** Manufacturer's drawings and installation instructions.
- 7.2** Reports of fire tests of roof coverings demonstrating compliance with ASTM E108-17 (-16 for 2018 IBC and 2020 FBC, -11 for 2015 IBC) Standard Test Methods for Fire Tests of Roof Coverings.
- 7.3** Reports of testing and engineering analysis demonstrating compliance with ICC-ES AC07, Acceptance Criteria for Special Roofing Systems, approved February 2014, editorially revised May 2016.
- 7.4** Documentation of an Intertek approved quality control system for the manufacturing of products recognized in this report.

## 8.0 IDENTIFICATION

The *Inspire Classic Roof Slates* are identified with the:

- Name of the report holder (Westlake Davinci Roofscapes, LLC), address and telephone number, and the product name (*Inspire Classic Roof Slates*).
- Statement "Install on solid sheathing, min slope 3:12."
- Referenced standard, ASTM E108 and the classification (Class A or Class C) in conjunction with the statement "See CCRR-0217 at <https://bpdirectory.intertek.com>";
- Intertek Mark as shown below, and the Code Compliance Research Report number (CCRR-0217).



## 9.0 FLORIDA BUILDING CODE

### 9.1 Scope of Evaluation:

The *Inspire Classic Roof Slates* were evaluated for compliance with the 2020 *Florida Building Code*.

### 9.2 Conclusion:

The *Inspire Classic Roof Slates* described in Sections 2.0 through 7.0 of this Research Report, comply with the 2020 *Florida Building Code*:

- Use of the *Inspire Classic Roof Slates* for compliance with the High-Velocity Hurricane Zone provisions of the 2020 *Florida Building Code* has not been evaluated and is outside the scope of this Research Report.
- Intertek is an approved *evaluation entity* and *quality assurance entity* pursuant to Florida Statute 553.842 – *Product Evaluation and Approval*.

## 10.0 CODE COMPLIANCE RESEARCH REPORT USE

- 10.1** Approval of building products and/or materials can only be granted by a building official having legal authority in the specific jurisdiction where approval is sought.
- 10.2** Code Compliance Research Reports shall not be used in any manner that implies an endorsement of the product by Intertek.
- 10.3** Reference to the <https://bpdirectory.intertek.com> is recommended to ascertain the current version and status of this report.

This Code Compliance Research Report ("Report") is for the exclusive use of Intertek's Client and is provided pursuant to the agreement between Intertek and its Client. Intertek's responsibility and liability are limited to the terms and conditions of the agreement. Intertek assumes no liability to any party, other than to the Client in accordance with the agreement, for any loss, expense or damage occasioned by the use of this Report. Only the Client is authorized to permit copying or distribution of this Report and then only in its entirety, and the Client shall not use the Report in a misleading manner. Client further agrees and understands that reliance upon the Report is limited to the representations made therein. The Report is not an endorsement or recommendation for use of the subject and/or product described herein. This Report is not the Intertek Listing Report covering the subject product and utilized for Intertek Certification and this Report does not represent authorization for the use of any Intertek certification marks. Any use of the Intertek name or one of its marks for the sale or advertisement of the tested material, product or service must first be approved in writing by Intertek.



TABLE 1 – PROPERTIES EVALUATED

PROPERTY	2021 IBC SECTION	2021 IRC SECTION	2020 FBC - Building	2020 FBC – Residential
Roof Classification	1505	R902	1505	R902

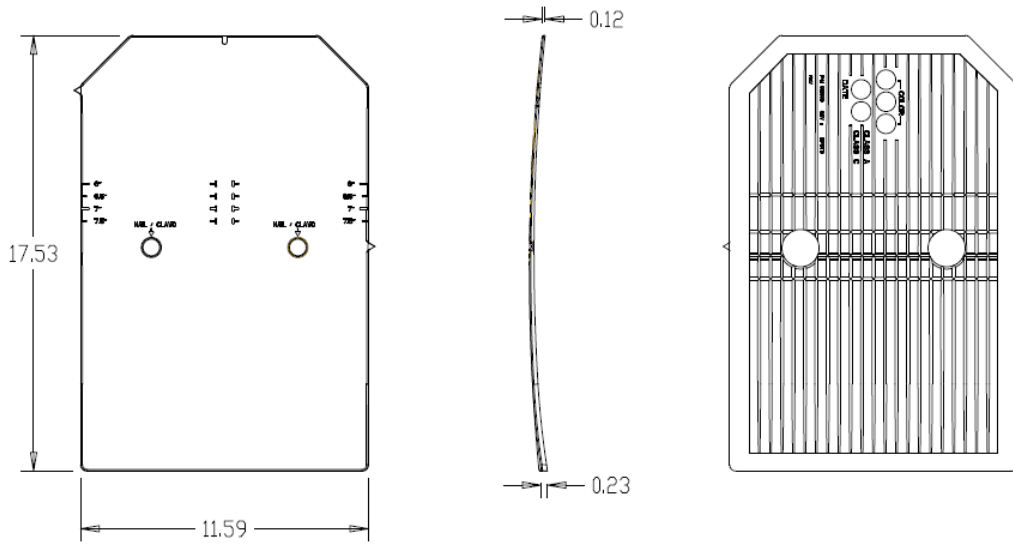


FIGURE 1 – INSPIRE CLASSIC ROOF SLATES FRONT, PROFILE, AND BACK

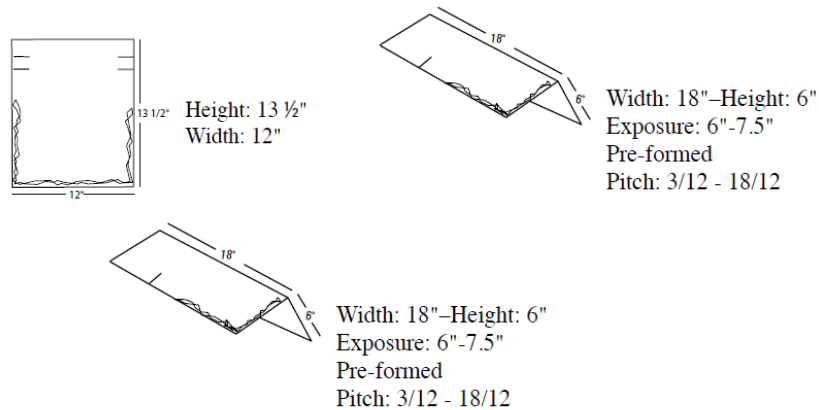


FIGURE 2 – INSPIRE CLASSIC ROOF SLATES STARTER PIECE AND HIP AND RIDGE